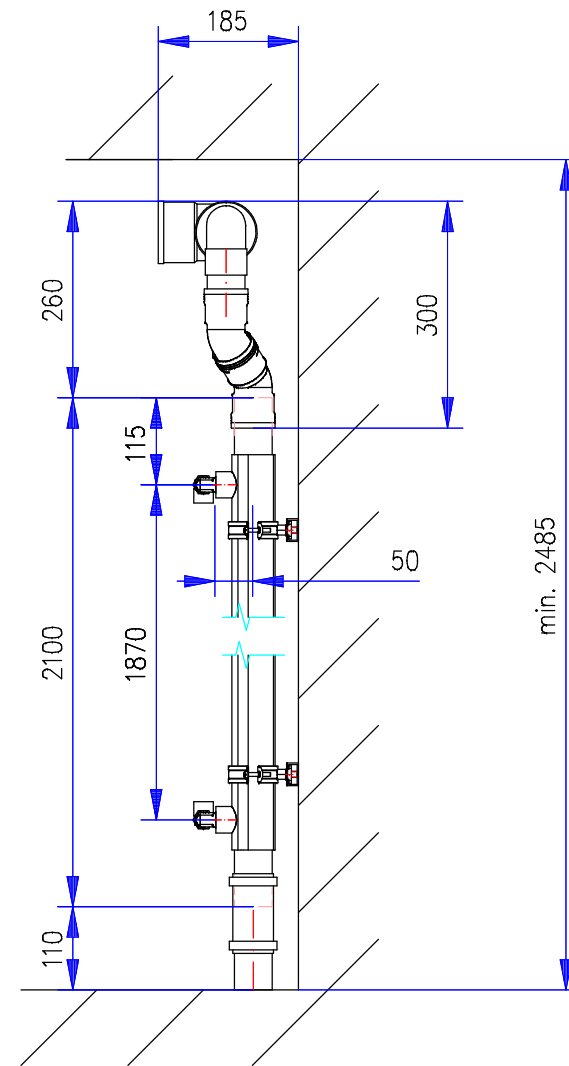
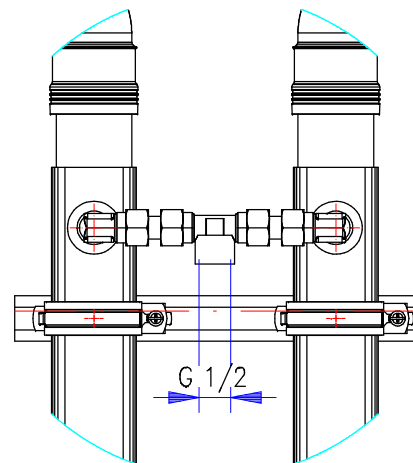


Z (1:5)



TITLE: Handleiding UK Showersaver QB1-21D			PROJECT: -
Revision			NUMBER: QBT-21D versie 1 S1
Rev	Date	Remark	CUSTOMER NAME: -
A			DATE: 08.03.2017
B			SCALE: 1:10
C			DRAWN: M.D.
 <p>Q-Blue b.v. Willem Barentszstraat 5 7825 VZ Emmen The Netherlands Tel: +31 (0)591-374570 Fax: +31 (0)591-632398 www.q-blue.nl info@q-blue.nl</p>			MEASURE UNIT: mm A3
			PROJECTION